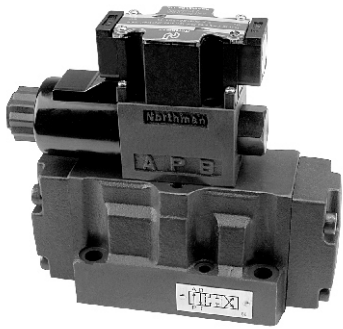


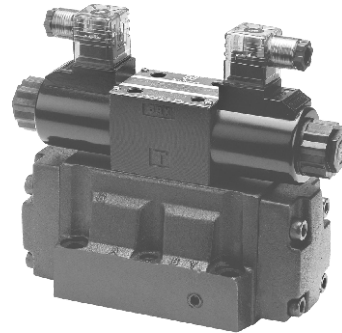


# SOLENOID CONTROLLED PILOT OPERATED DIRECTIONAL VALVE

SW-G04 SERIES



Joint Box With Indicating Lights



Hirschmann Type With Indicating Lights

## HOW TO ORDER

SW	-G	04	-C2	-ET	-A220	-10	-AB	-K
Series	Mounting Style	Nominal Size	Spool Type	Option ET	Coil Voltage	Wiring	Stroke Adjustment Option	
High Pressure, High Flow Solenoid Directional Valve	Subplate Mounted	16mm	Refer to the Next Page	①	②	③	④	Knob Option

### ① Option ET

Pilot Type		Drain Type	
E	No Code	T	No Code
External Pilot	Standard Internal Pilot Type	External Drain	Standard Internal Drain Type

### Description

Control Connection	Drain Type	Notice
Internal Pilot Type	External Drain	Pilot Pressure Of Internally Drained Valves Must Always Exceed Tank Port Pressure
	Internal Drain	Open Center Spools C3, C5, C6, C60 Must Be Externally Piloted
External Pilot Type	External Drain	Unlimited Use
	Internal Drain	

### ② Coil Voltage

Coil Type	Voltage
A240	AC240V,60Hz;AC220V,50Hz
A220	AC220V,60Hz;AC200V,50Hz
A120	AC120V,60Hz;AC110V,50Hz
A110	AC110V,60Hz;AC100V,50Hz
R240	AC240V,60Hz;AC220V,50Hz
D12	DC12V
D24	DC24V

### ③ Wiring

10	Joint Box with Indicating Lights
20	Hirschmann Type with Indicating Lights

### ④ Stroke Adjustment Option

No Code	Standard
AB	With Stroke Adjustment Both Ends
A	With Stroke Adjustment Port "A" End
B	With Stroke Adjustment Port "B" End



### List of Spool Configurations

Application	Spool Type	Symbols	Application	Spool Type	Symbols
4-way, 3-position Spring Centered	C2		4-way, 2-position No Spring, No Detent	N2	
	C2M			N3	
	C3			4-way, 2-position Detent	D2
	C4		D3		
	C40		4-way, 2-position Spring Offset (Solenoid b)	B2	
	C5			B3	
	C6			B4	
	C60			B20	
	C7			B21	
	C8			B30	
	C8M			B2S	
C9		B3S			
4-way, 2-position Spring Offset (Solenoid b)	C2B		4-way, 2-position Spring Offset (Solenoid a)	B4S	
	C3B			B20S	
	C4B			C2BS	
	C40B			C3BS	
	C5B			C4BS	
	C6B			C40BS	
	C60B			C5BS	
	C7B			C6BS	
	C8B			C60BS	
	C9B			C7BS	
	C5SB			C8BS	
	C8SB			C9BS	
	C9SB			4-way, 3-position Spring Centered	C5S
			C8S		
		C9S			